

OT 3DH 102 - 102P
 OT 3DH 280
 OT 3DH 250 - 250P
 OT 3DH 260
 OT 3DH 260 P

SEAT AND BACKREST
 upholstered with leather or fabric
 with horizontal stiches

MECHANISM
 A - height adjustment up&down
 (standard)
 C - rocker (angle of adjustment of seat
 and backrest - 16°),
 with lock in work position (option)



OT 3DH 102 PN

ARMRESTS
 powder painted or chrome, with or
 without overlay

BASE
 available in 3 coloursways: black,
 aluminum, polished aluminum

CASTORS
 for soft or hard floor, with or without
 brake



OT 3DH 102 PN



OT 3DH 280



OT 3DH 250



OT 3DH 250 PN



OT 3DH 260



OT 3DH 260 P

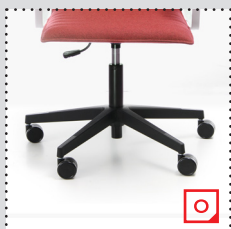
BASE



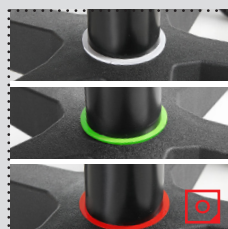
Base 22 - polished aluminum



Base 23 powder painted according to Bejot sampler



Base 17 - black plastic



Colourful ring for base 17: white, red, green

CASTORS



DEMAD - soft wheel for hard floor



DEMA - hard wheel for soft floor



ROL W (white) - Universal castors with brake function for OT 3D 260



ROL C (chrome) - Universal castors with brake function for OT 3D 260



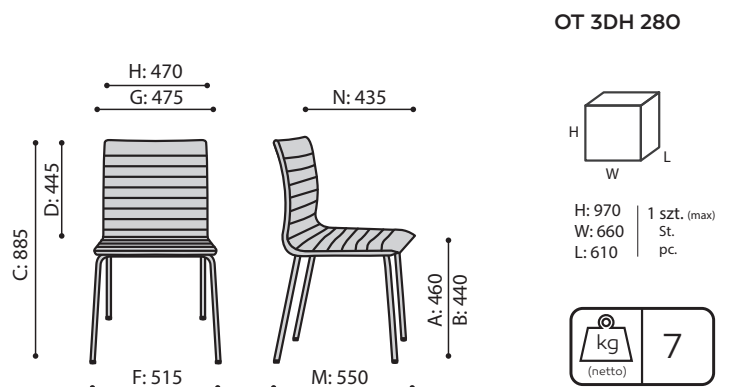
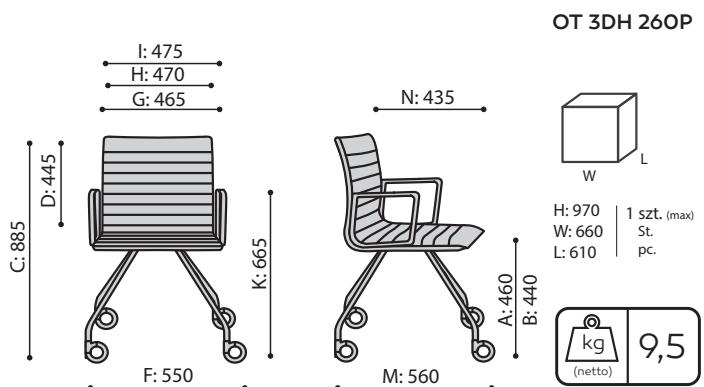
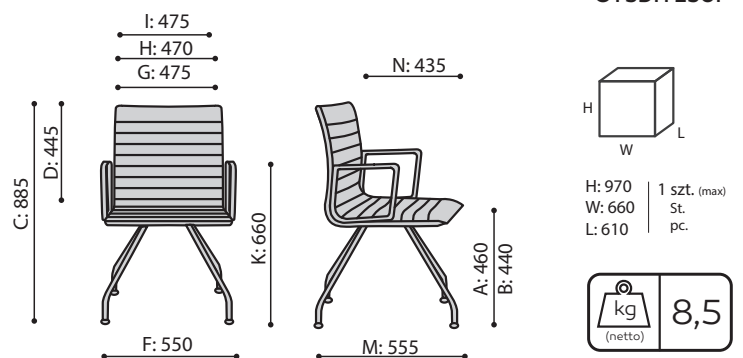
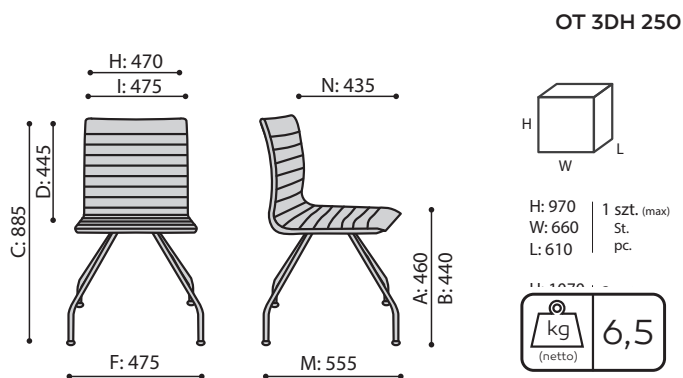
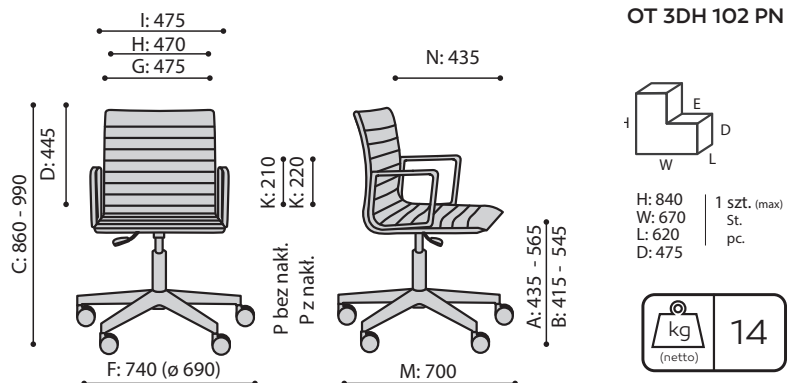
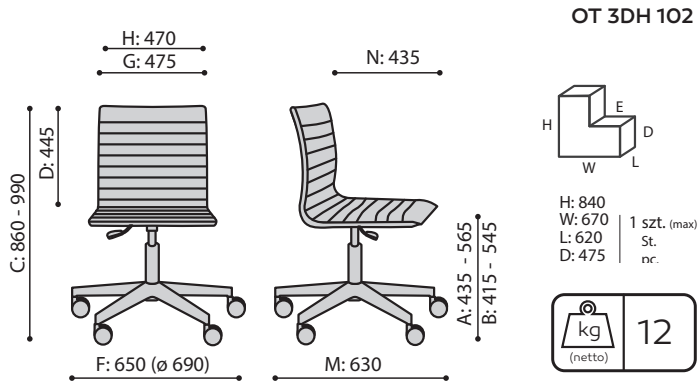
ROL G (grey) - Universal castors with brake function for OT 3D 260

ARMRESTS



P20P - powder painted (P21P - with leather overlay acc. to Bejot sampler), P20C - chrome (P21C - with leather overlay acc. to Bejot sampler)

ORTE 3DH | TECHNICAL DATA



A) seat height: overall dimensions

B) seat height: measurement according to the standard PN EN 1335-1

ALL DETAILS ABOUT THIS PRODUCT ARE AVAILABLE AT WWW.BEJOT.EU

b 5 years warranty