

**OC 102**

**BUCKET**

Upholstered with fabric or leather with poured foam that ensures a long-term resistance to deformation and provides optimal comfort.

The upholstery is stitched from fabric pieces and the stitching lines are made with a thick thread.

The upholstery is available in various colours of the same fabric or as a combination of fabric and leather.

**MECHANISM**

C – cradle mechanism (range of the adjustable backrest and seat recline angle: 16°) with fixing in the working position

**BASE**

spider 22 – polished aluminium (chrome) Ø 690

**CASTORS**

for soft or hard floors with or without brakes



OX 102



OX 102



OX 102



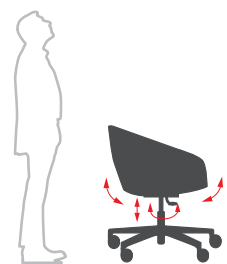
OX 102



Upholstery – one type of fabric is available in various colours:

- Op** – Backrest front
- Sg** – Seat up
- Ot** – Backrest back
- Ss** – Seat bottom

REGULATIONS



OX 102

## MECHANISM



C – cradle mechanism  
(range of the adjustable backrest and seat recline angle: 16°) with fixing in the working position

## CASTORS

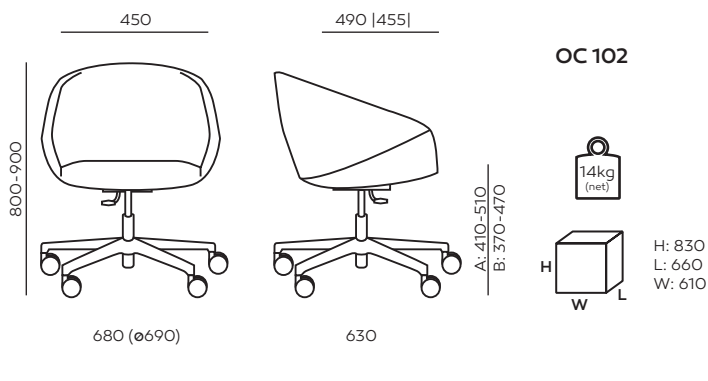


DEM – hard wheels  
for soft floor  
DEMA – hard wheels  
for soft floor with brake



DEMD – soft wheels  
for hard floor  
DEMDA – soft wheels  
for hard floor with brake

## OX 102 | TECHNICAL DATA



A) seat height: overall dimensions

B) seat height: measurement according to the standard PN EN 1335-1

ALL DETAILS ABOUT THIS PRODUCT ARE AVAILABLE AT [WWW.BEJOT.COM](http://WWW.BEJOT.COM)





**OX 5R**

**BUCKET**

Upholstered with fabric or leather with poured foam that ensures a long-term resistance to deformation and provides optimal comfort.

The upholstery is stitched from fabric pieces and the stitching lines are made with a thick thread.

The upholstery is available in various colours of the same fabric or as a combination of fabric and leather.

**BASE**

chrome 5-arm metal frame – a fitted base

**MECHANISM**

AR – cradle mechanism with an adjustable seat height

A – swivelling mechanism without adjustable seat height

**CASTORS**

Chromed



OX 5R



OX 5R



OX 5R



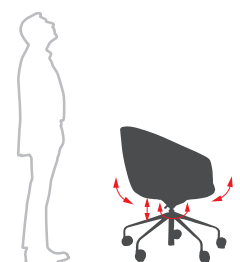
OX 5R



Upholstery – one type of fabric is available in various colours:

- Op** – Backrest front
- Sg** – Seat up
- Ot** – Backrest back
- Ss** – Seat bottom

REGULATIONS



OX 5R

## MECHANISM



A - swivelling mechanism without an adjustable seat



AR - cradle mechanism with an adjustable seat height

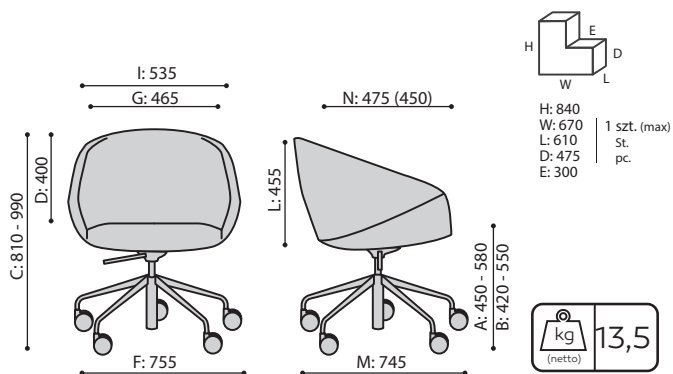
## CASTORS



DEMD - C universal castors, chrome

## OX 5R | TECHNICAL DATAS

### OC 5R



A) seat height: overall dimensions

B) seat height: measurement according to the standard PN EN 1335-1

ALL DETAILS ABOUT THIS PRODUCT ARE AVAILABLE AT [WWW.BEJOT.COM](http://WWW.BEJOT.COM).



**OX 4R**

**BUCKET**

Upholstered with fabric or leather with poured foam that ensures a long-term resistance to deformation and provides optimal comfort.

The upholstery is stitched from fabric pieces and the stitching lines are made with a thick thread.

The upholstery is available in various colours of the same fabric or as a combination of fabric and leather.

**BASE**

construction: a chrome 4-arm metal fitted frame

**MECHANISM**

AR – swivelling mechanism without adjustable seat height, with a 2D-movement option

A – swivelling mechanism without an adjustable seat height

**FEET**

adjustable feet for soft floors or adjustable feet with felt for hard floors



OX 4R



OX 4R



OX 4R



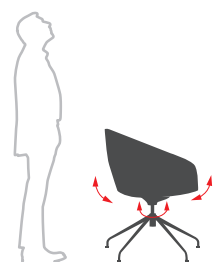
OX 4R



Upholstery – one type of fabric is available in various colours:

- Op** – Backrest front
- Sg** – Seat up
- Ot** – Backrest back
- Ss** – Seat bottom

REGULATIONS



OX 4R

## MECHANISM



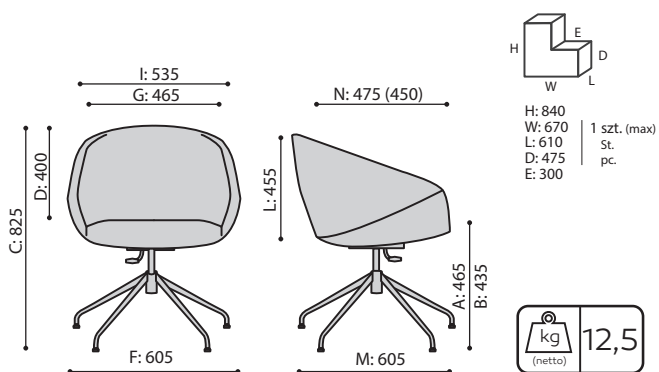
A - swivelling mechanism without an adjustable seat height



AR - swivelling mechanism without adjustable seat height, with a 2D-movement option

## OX 4R | TECHNICAL DATAS

### OC 4R



A) seat height: overall dimensions

B) seat height: measurement according to the standard PN EN 1335-1

ALL DETAILS ABOUT THIS PRODUCT ARE AVAILABLE AT [WWW.BEJOT.COM](http://WWW.BEJOT.COM).



**OXV25**

**BUCKET**

Upholstered with fabric or leather with poured foam that ensures a long-term resistance to deformation and provides optimal comfort.

The upholstery is stitched from fabric pieces and the stitching lines are made with a thick thread.

The upholstery is available in various colours of the same fabric or as a combination of fabric and leather.

**BASE**

4-arm chrome spider

**MECHANISM**

AR – swivelling mechanism without adjustable seat height, with a 2D-movement option

A – swivelling mechanism without an adjustable seat height

**FEET**

Plastic



OXV25



OXV25



OXV25



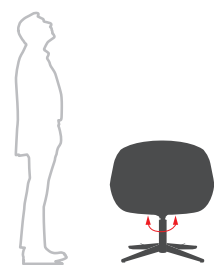
OXV25



Upholstery – one type of fabric is available in various colours:

- Op** – Backrest front
- Sg** – Seat up
- Ot** – Backrest back
- Ss** – Seat bottom

REGULATIONS



OXV25

## MECHANISM

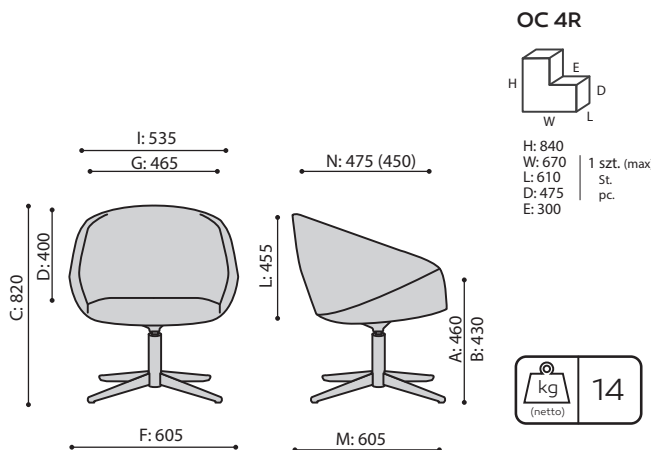


A - swivelling mechanism without an adjustable seat height



AR - swivelling mechanism without adjustable seat height, with a 2D-movement option

## OX V25 | TECHNICAL DATAS



A) seat height: overall dimensions

B) seat height: measurement according to the standard PN EN 1335-1

ALL DETAILS ABOUT THIS PRODUCT ARE AVAILABLE AT [WWW.BEJOT.COM](http://WWW.BEJOT.COM).





**OX 290**

**BUCKET**

Upholstered with fabric or leather with poured foam that ensures a long-term resistance to deformation and provides optimal comfort.

The upholstery is stitched from fabric pieces and the stitching lines are made with a thick thread.

The upholstery is available in various colours of the same fabric or as a combination of fabric and leather.

**BASE**

Rod, powder painted (acc. to theBejot sampler) or chrome

**SKIDS**

plastic anti-scratch skids



It does not scratch walls



OX 290



OX 290



OX 290

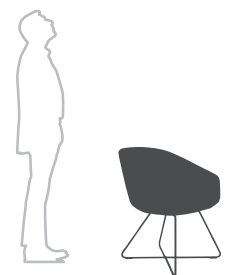


OX 290



Upholstery – one type of fabric is available in various colours:

- Op** – Backrest front
- Sg** – Seat up
- Ot** – Backrest back
- Ss** – Seat bottom



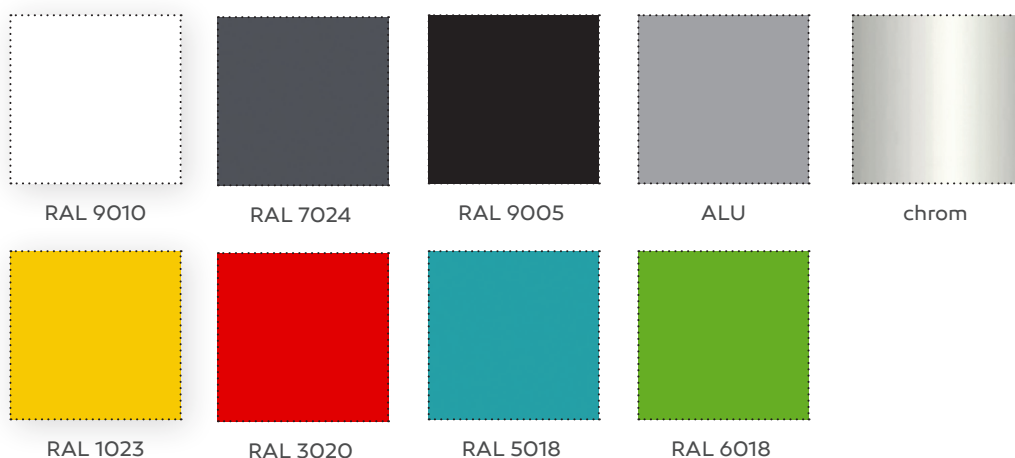
OX 290

## SKIDS



Skids: Skids: plastic anti-scratch skids

## FRAME COLOURS:



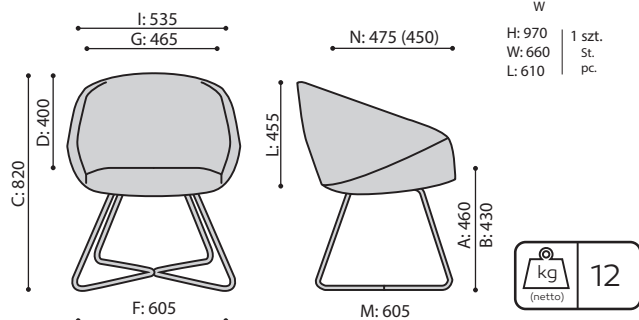
## OX 290 | TECHNICAL DATAS

### OC 290



H: 970  
W: 660  
L: 610

1 szt.  
St.  
PC



A) seat height: overall dimensions

B) seat height: measurement according to the standard PN EN 1335-1

ALL DETAILS ABOUT THIS PRODUCT ARE AVAILABLE AT [WWW.BEJOT.COM](http://WWW.BEJOT.COM).



**OX 424**

**BUCKET**

Upholstered with fabric or leather with poured foam that ensures a long-term resistance to deformation and provides optimal comfort.  
 The upholstery is stitched from fabric pieces and the stitching lines are made with a thick thread.  
 The upholstery is available in various colours of the same fabric or as a combination of fabric and leather.

**BASE**

special construction enable 3D movement

**SKIDS**

plastic (for soft floors)  
 with felt for hard floors)



OX 424



OX 424



OX 424



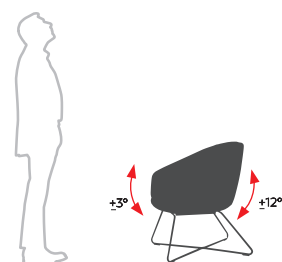
OX 424



Upholstery – one type of fabric is available in various colours:

- Op** – Backrest front
- Sg** – Seat up
- Ot** – Backrest back
- Ss** – Seat bottom

REGULATIONS



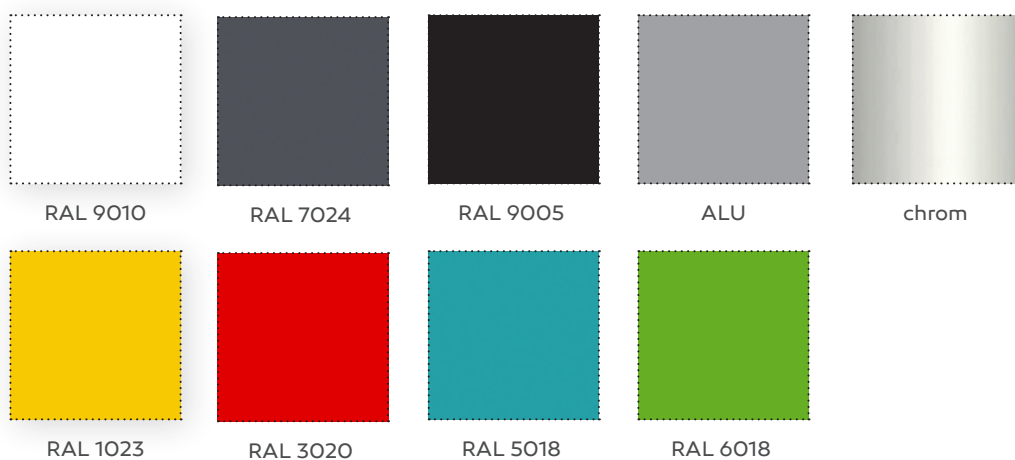
OX 424

## SKIDS



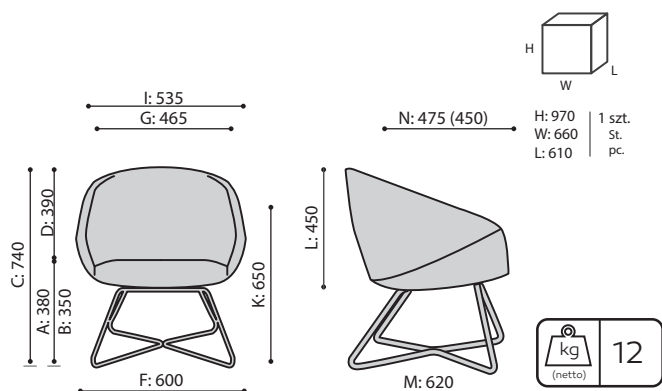
Skids: plastic (for soft floors) or with felt for hard floors)

## FRAME COLOURS:



## OX 424 | TECHNICAL DATAS

### OC 424



A) seat height: overall dimensions  
B) seat height: measurement according to the standard PN EN 1335-1

ALL DETAILS ABOUT THIS PRODUCT ARE AVAILABLE AT [WWW.BEJOT.COM](http://WWW.BEJOT.COM).



**OX W 720**

**BUCKET**

Upholstered with fabric or leather with poured foam that ensures a long-term resistance to deformation and provides optimal comfort.  
 The upholstery is stitched from fabric pieces and the stitching lines are made with a thick thread.  
 The upholstery is available in various colours of the same fabric or as a combination of fabric and leather.

**BASE**

solid wood construction (ash tree)  
 (colours acc. to the Bejot sampler)

**FEET**

felt for hard floors or plastic for soft floors



OX W 720



OX W 720



OX W 720

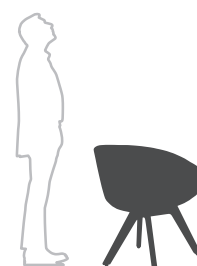


OX W 720



Upholstery – one type of fabric is available in various colours:

- Op** – Backrest front
- Sg** – Seat up
- Ot** – Backrest back
- Ss** – Seat bottom



OX W 740

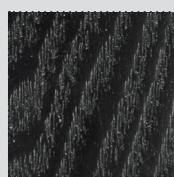
## COLOURS OF WOODEN LEGS:



J-1



J-2

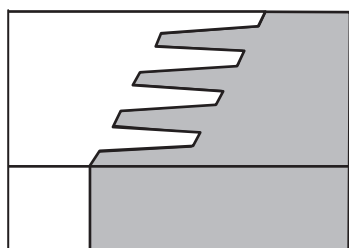


J-3\*

\*J3 – two stages of wood dyeing: preliminary staining and then varnishing (black) limit the occurrence of natural wood colours in case of scratches

J1 – semi-matt varnish

J2 – slightly whitened varnish



Precisely joined micro-sockets ensure a durable joining of the construction elements of the armchair.

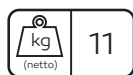
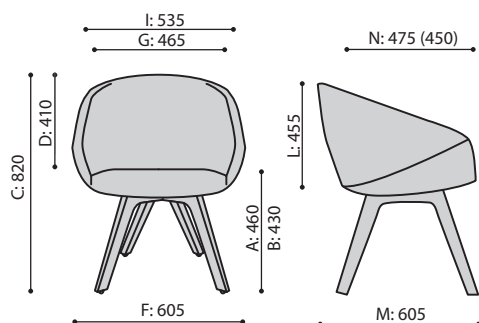
## OX W 720 | TECHNICAL DATAS

### OCW 720



H: 970  
W: 660  
L: 610

1 szt.  
St.  
pc.



A) seat height: overall dimensions  
B) seat height: measurement according to the standard PN EN 1335-1

ALL DETAILS ABOUT THIS PRODUCT ARE AVAILABLE AT [WWW.BEJOT.COM](http://WWW.BEJOT.COM)



**OX W 740**

**BUCKET**

Upholstered with fabric or leather with poured foam that ensures a long-term resistance to deformation and provides optimal comfort.

The upholstery is stitched from fabric pieces and the stitching lines are made with a thick thread.

The upholstery is available in various colours of the same fabric or as a combination of fabric and leather.

**BASE**

solid wood legs (ash tree)  
(colours acc. to the Bejot sampler)



OX W 740



OX W 740



OX W 740

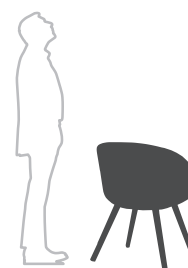


OX W 740



Upholstery – one type of fabric is available in various colours:

- Op** – Backrest front
- Sg** – Seat up
- Ot** – Backrest back
- Ss** – Seat bottom



OX W 740

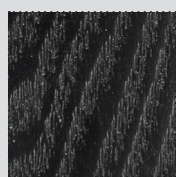
## COLOURS OF WOODEN LEGS:



J-1



J-2



J-3\*

\*J3 – two stages of wood dyeing: preliminary staining and then varnishing (black) limit the occurrence of natural wood colours in case of scratches

J1 – semi-matt varnish

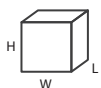
J2 – slightly whitened varnish



TAKING CARE ABOUT DETAILS -  
 Finished seat bottom

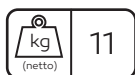
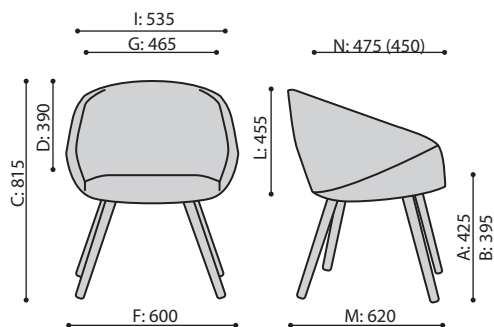
## OX W 740 | TECHNICAL DATAS

### OCW 740



H: 970  
 W: 660  
 L: 610

1 szt.  
 St.  
 pc.



A) seat height: overall dimensions  
 B) seat height: measurement according to the standard PN EN 1335-1

ALL DETAILS ABOUT THIS PRODUCT ARE AVAILABLE AT [WWW.BEJOT.COM](http://WWW.BEJOT.COM).