

Wilkhahn

ON. 170 range.





ON.

The range stands for the latest milestones in office-chair development. For the first time, the patented Trimension® technology offered by ON® has succeeded in perfectly synchronising three-dimensional flexibility with our bodies. And what's more it offers superb design and an extensive product family that caters to virtually all requirements. The three backrest heights are adjustable by 60 mm (medium-high, high and high with a headrest), three upholstered types (Fiberflex, soft padding and management grade upholstery) and three types of 3D armrest (standard, soft, leather) add up to 27 basic designs for the task chairs alone ...

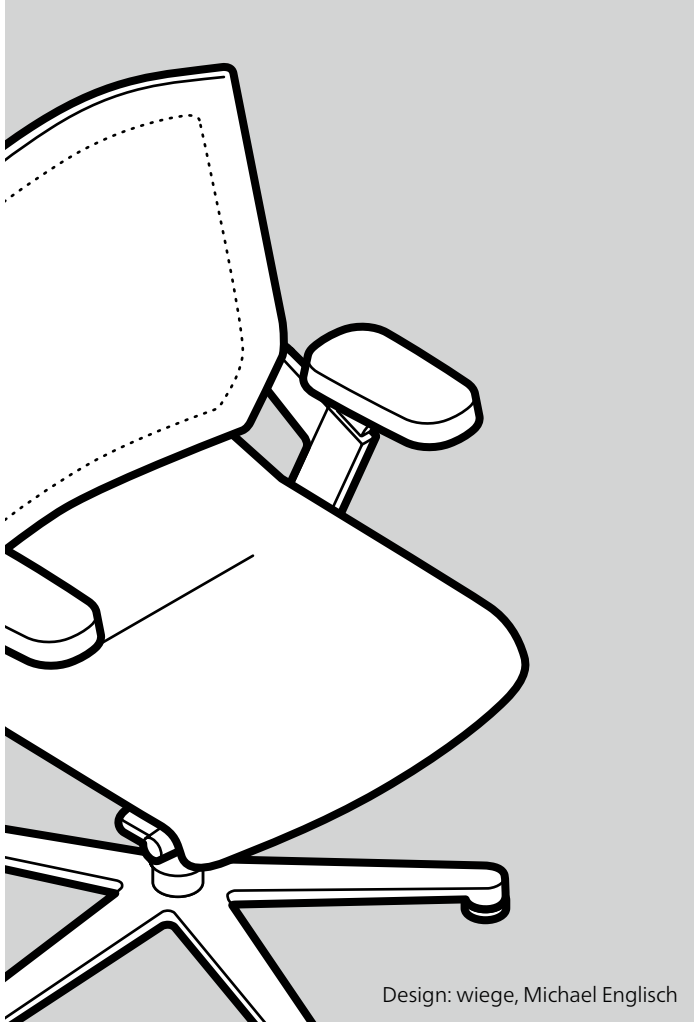






ON. 170 range. Technical details.

Wilkhahn



Design: wiege, Michael Englisch

Function

Task chairs with Trimension®, synchronous, three-dimensional supporting kinematics that fosters three-dimensional dynamic sitting. The perfect interaction of the synchro-adjustment mechanism, seat and backrest automatically adapts to any posture the user adopts. The supporting counter pressure is quickly and precisely adjustable in any direction (a max. of 4.5 rotations) for people weighing from 45 to 120 kg. Backrest height adjustable by up to 60 mm in six lockable positions. Backrest and seat can be locked in the front sitting position. The seating height is precisely adjustable between 400 mm and 520 mm with a DIN 4550-compliant gas lift. All models are optionally available with seat-depth extension of 400 to 450 mm. Conference and visitor chairs with Trimension, on request with swivel-mounted column not height adjustable, alternatively as a four-leg type or cantilever chair, optionally stackable.

Frame

Task chairs and counter stools

Five-star base, optionally made of black through-dyed plastic or die-cast aluminium, coated (black or in a silver satin finish), polished or bright chrome-plated. Twin wheel swivel castors with load-dependent braking, made of black polyamide compliant with DIN EN 12529 as the standard version for carpets; with grey soft polyurethane tyre for hard floors. Castors optionally electrically conductive. Mechanism shell made of die-cast, shot-blasted aluminium, optionally coated in black or a silver satin finish, with top cover made of black, through-dyed polypropylene. Gas lift covered by telescopic protective tube made of black through-dyed polypropylene. Counter stool with extra height-adjustable foot ring, bright chrome-plated, with lock screw to affix it and twin wheel swivel castors with load-dependent braking.

24-hour chairs

All have an die-cast aluminium star base with extra swivel arm supports, with a modified synchro-adjustment mechanism and exceptionally hard-wearing covers from Wilkhahn's fabric and leather collection. Designed for people weighing up to 120 kg, the models already comply with the advanced requirements of the DIN EN 1335 standard for 24-hour use.

Conference/visitor chairs

Four-star, die-cast aluminium star base, coated (black or in a silver satin finish), polished or bright chrome plated. Black, multipurpose glides made of plastic for all types of flooring. Swivel arms made of die-cast aluminium, coated (black or black textured matt finish or silver satin finish), polished or bright chrome plated. Mechanism shell made of die-cast, shot-blasted aluminium, optionally coated in black or silver satin finish, with top cover made of black, through-dyed polypropylene. Gas lift covered by telescopic protective tube made of black through-dyed polypropylene.

Cantilever chairs

Frame made of bright, chrome-plated tubular steel, 22 mm in diameter, with anti-tilt stopper made of black polyamide as the standard version for carpeting, with extra glides for hard flooring, with felt inserts on request.

Four-leg visitor chair

Frame made of bright chrome-plated tubular steel, legs 22 mm in diameter. Models 176/7 and 176/71 with multipurpose glides made of POM (polyoxymethylene) in black for soft and hard floorings, or models 176/8 and 176/81 (not stackable) with load-dependent braking twin wheel swivel castors made of black polyamide DIN EN 12529 compliant as the standard version for carpeting; with grey tyre made of polyurethane for hard flooring.

Seat

Task, visitor and conference chairs

Highly elastic, flexibly suspended seat shell with seat upholstery panel made of black, through-dyed polypropylene, polyurethane seat cushion covered in the same material as the backrest cover in Fiberflex, or fabric. Seat can be replaced. All models except for those with management grade upholstery optionally available with extra padding (with additional cut foam fleece). In models with management grade upholstery (174/71, 175/71, 171/71) seat cushioning with extra padding and side facings, optionally also with a leather cover. Optionally with seat-depth extension from 400 to 450 mm (all types with upholstery). Task chair models 174/7, 175/7, 174/71, 175/71 optionally with a constant and comfortable tilt of 6 degrees.

Subject to change.

ON. 170 range. Technical details.

Wilkhahn

Back

Task, visitor and conference chairs

Elastic back frame, height adjustable by 60 mm in six lockable positions, made of through-dyed, fibreglass-reinforced polyamide, covered with Fiberflex, optionally also with fabric (and extra padding). All models except for those with management grade upholstery optionally available with extra padding (with additional cut foam fleece). In models with management grade upholstery (174/71, 175/71, 171/71) backrest upholstery optionally with additional padding, front of backrest also with concealed, cut foam fleece sewn into the cover and with side facings, optionally with leather cover. All models except for those with management grade upholstery optionally available with extra padding (with additional cut foam fleece). Medium-high and high backrest, high backrest optionally with headrest (height 16 cm), either in the same material as the backrest cover, or covered in leather on the front. Back can be replaced.

Seat and backrest

Cantilever/four-leg visitor chair

Unitary shell design made of through-dyed, fibre-glass-reinforced polypropylene. Seat cushioning made of polyurethane one-piece moulded foam, in models with management grade upholstery (models 176/71, 178/71) with additional padding and side facings. All models except for those with management grade upholstery optionally available with extra padding (with additional cut foam fleece). In models 176/7, 178/7 seat cushions covered in the same material as the backrest cover in Fiberflex or fabric, in models 176/71 and 178/71 with management upholstery optionally also in leather. Seat can be replaced. The backrest frame is covered in Fiberflex, in models 176/7, 178/7 optionally with back covered in fabric (with additional padding). In models with management grade upholstery (176/71 and 178/71) optionally with back rest upholstery in fabric or leather, with additional padding, as well as on the front of backrest also with concealed, cut foam fleece sewn into the cover and side facings, back rest cover can be replaced.

Armrests

Task chairs

3D armrests made of fibreglass-reinforced, black through-dyed polyamide. Armrest pads made of black, through-dyed polyurethane (TPU), optionally also made of polyurethane foam and covered in leather if desired. Armrest covers made of black, through-dyed polypropylene. Armrest height adjustable by 100 mm (in eight lockable positions), depth adjustable by 40 mm, each armrest can be swivelled inwards and outwards by 30°.

Conference/visitor chairs

Fixed armrests made of fibreglass-reinforced, black, through-dyed polyamide. Armrest pads made of black, through-dyed polyurethane (TPU), optionally also made of polyurethane foam and covered in leather if desired. Armrest covers made of black, through-dyed polypropylene.

Cantilever/four-leg visitor chair

Armrest pads made of black, through-dyed polypropylene. In non-stackable chairs, optionally with upholstered armrests, when covered in fabric with black leather 74/99, when covered in leather to match the colour of the leather.

Standards

The ON task and visitor/conference chairs comply with the DIN EN 1335, type A or B, and ANSI/BIFMA X 5.1 office chair standards. If required, NPR 1813 models are available.

The ON cantilever and four-leg visitor chairs comply with the DIN EN 16139-L1, DIN EN 1022 and ANSI/BIFMA X 5.1 standards.

The ON task, four-leg visitor and cantilever chairs comply with the GS standard.



Optionally, the ON task, visitor and conference chairs (without headrest) can also be shipped with dismantled backrests in boxes.

All visitor and conference chairs have glides for soft flooring (e.g. carpets). On request, available with swivel-mounted column, not height adjustable, (at no additional charge).

Accessories

Optionally for visitor chair model 176 / 7: inline connectors, model 177 made of zinc-plated steel, two-wheeled cart model 176 for 8 visitor chairs.

Optionally for cantilever chair, model 178/7, four-wheeled trolley, model 178 for 8 cantilever chairs.

ON. 170 range. Product types.

Wilkhahn



171/7 Conference/visitor chair, medium-height backrest, on glides



174/7 Task chair, medium-height backrest, on castors



175/7 Task chair, high back on castors



175/7 Task chair, high back with headrest



176/7 Conference/visitor chair, with four legs, normal height backrest



178/7 Cantilever chair, normal height backrest (with management grade upholstery 178/71)



171/71 Conference/visitor chair, medium-height backrest, on glides, management grade upholstery



174/71 Task chair, medium-height backrest, on castors, management grade upholstery



175/71 Task chair, high back, on castors, management grade upholstery



175/71 Task chair, high back with headrest, management grade upholstery



176/71 Conference/visitor chair, with four legs, normal height backrest, management grade upholstery

- not pictured
- 174/8 24-hour chair
 - 174/1 Counter chair
 - 175/8 24-hour chair
 - 176/8 Conference/visitor chair
 - 174/81 24-hour chair
 - 175/81 24-hour chair
 - 176/81 Conference/visitor chair

ON. 170 range. Upholstery types.

Wilkhahn



Seat and back with Fiberflex fabric



Fiberflex with soft padding

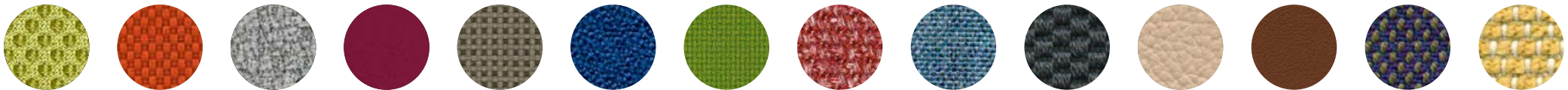


Seat and back covered with fabric



Management grade upholstery in leather

Upholstery material (not all upholstery materials apply to all types)



35 | 47 | 54 | 60 | 62 | 63 | 66 | 67 | 68 | 69 | 74 | 87 | 91 | 92 | You can find all upholstery materials and more colours in our media center

The digital sample colours differ from the originals.

ON. 170 range. Frame types.

Wilkhahn



Plastic star base

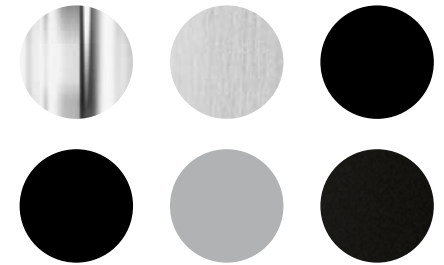


Swivel arms coated in black or silver



Aluminium bright chrome-plated swivel arms

Frame surfaces, star bases and swivel arms



Bright chrome-plated or polished aluminium, coated in a black textured matt finish or in a silver, satin finish
Five-star base also in black plastic



Polished aluminium star base

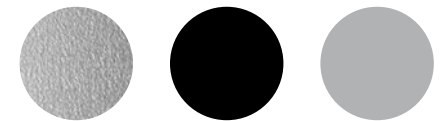


Aluminium bright chrome-plated star base



Mechanism cover coated in a silver satin finish

Mechanism cover



Shot blasted, black or silver-coated matt satin finish

The digital sample colours differ from the originals.

You can find our current fabric collection in our media center.

ON. 170 range. Frame types.

Wilkhahn



Frame surfaces
(Cantilever chair and four-leg visitor chair)



Bright chrome-plated tubular steel



Armrest pads
(Cantilever chair and four-leg visitor chair)



Black plastic or leather

The digital sample colours differ from the originals.

You can find our current fabric collection in our media center.

ON. 170 range. Accessories and other items.

Wilkhahn



Seat-depth extension



Upholstered, leather-covered armrests



Anti-static castors



Armrests



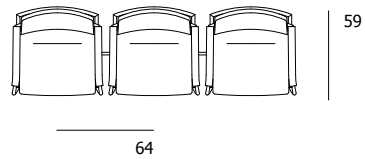
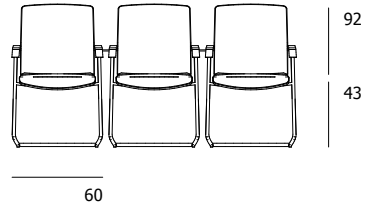
Inline connectors (for model 176/7)

- Further accessories not pictured
- Without armrests
 - Polyurethane foam armrest pads
 - Model 176/7, armrests leather upholstered

ON. 170 range. Accessories and other items.

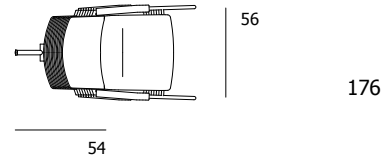
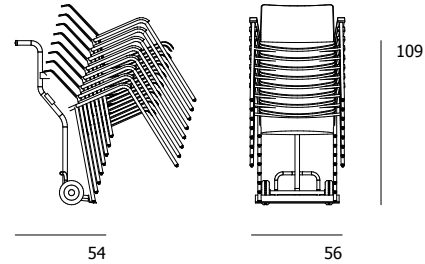
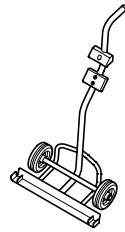
Wilkhahn

177 Inline connector

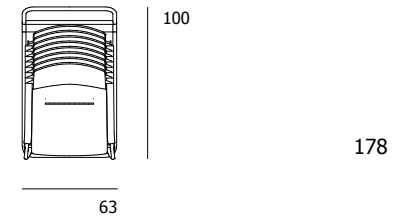
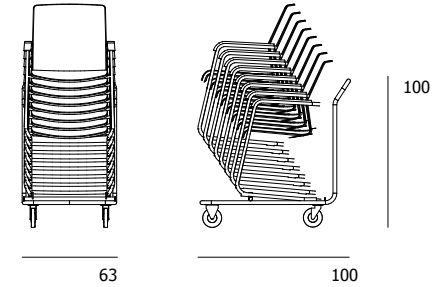
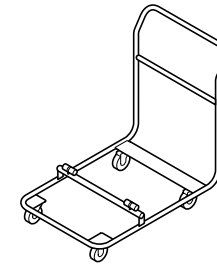


178/7

176 Two-wheeled cart
(for 8 visitor chairs)



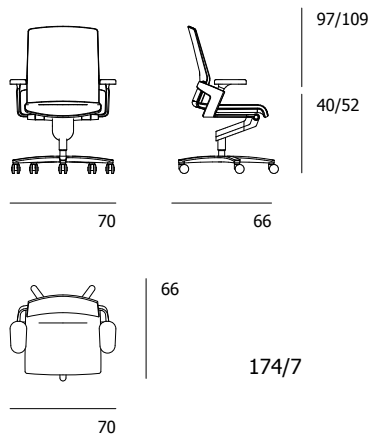
178 Four-wheeled trolley
(for 8 cantilever chairs)



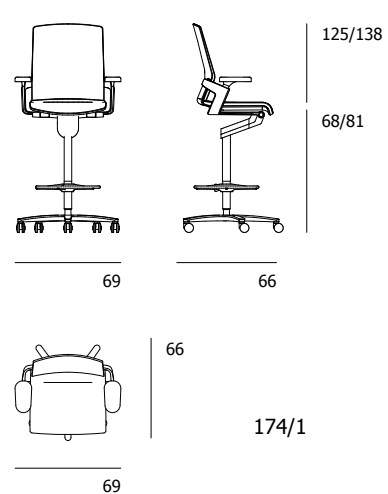
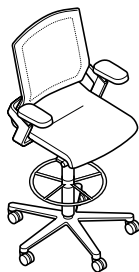
ON. 170 range. Models and dimensions.

Wilkhahn

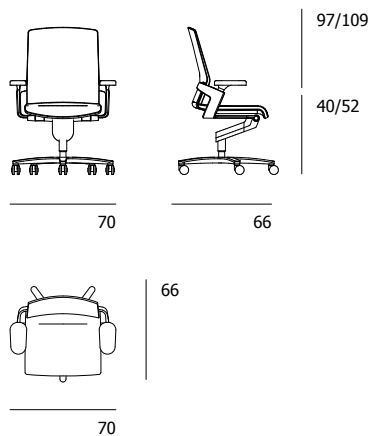
174/7
Task chair



174/1
Counter chair



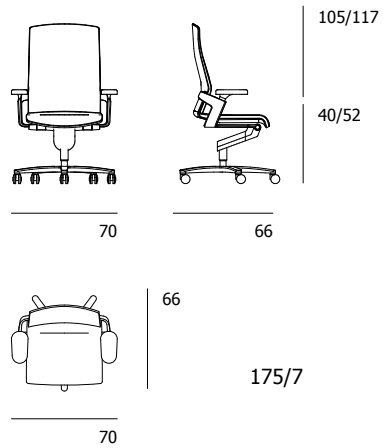
174/8
24-hour chair



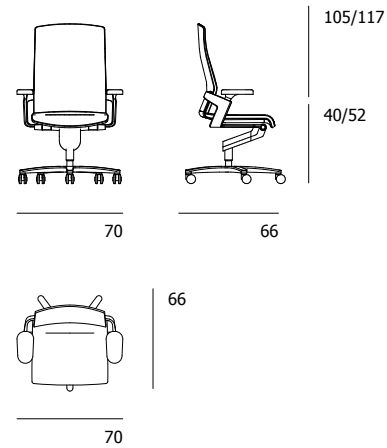
ON. 170 range. Models and dimensions.

Wilkhahn

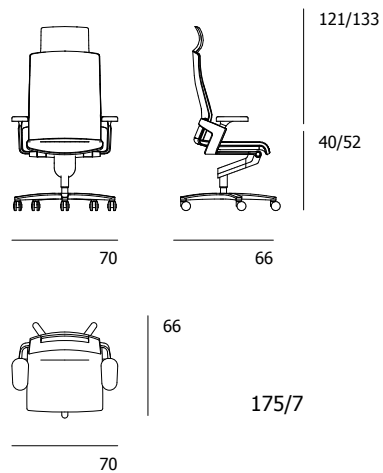
175/7
Task chair



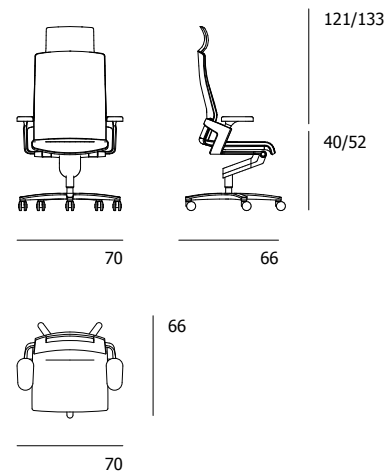
175/8
24-hour chair



175/7
with headrest



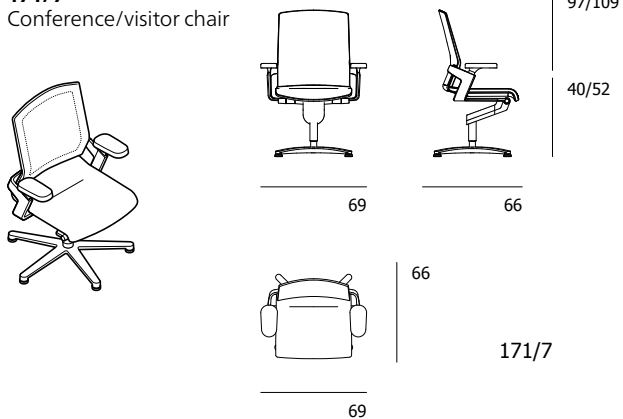
175/8
with headrest



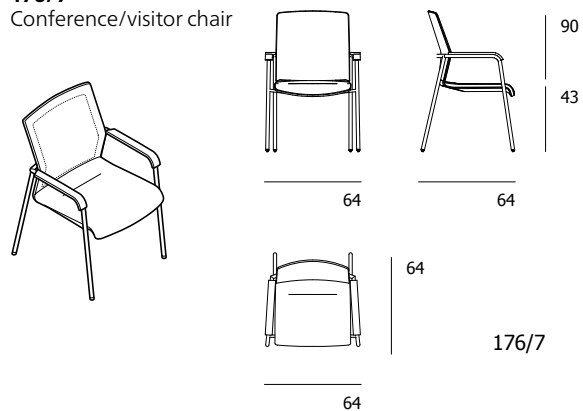
ON. 170 range. Models and dimensions.

Wilkhahn

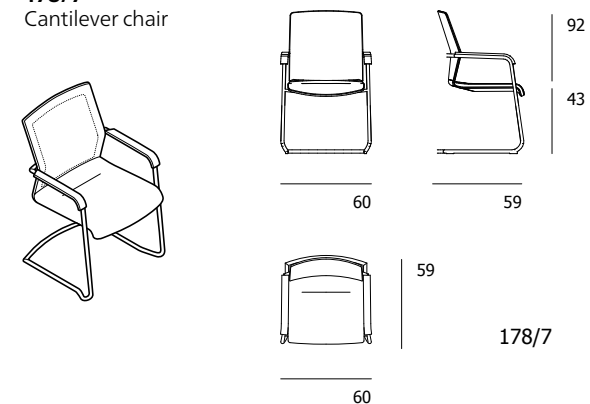
171/7
Conference/visitor chair



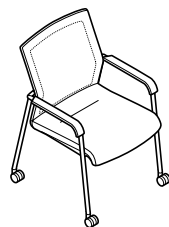
176/7
Conference/visitor chair



178/7
Cantilever chair



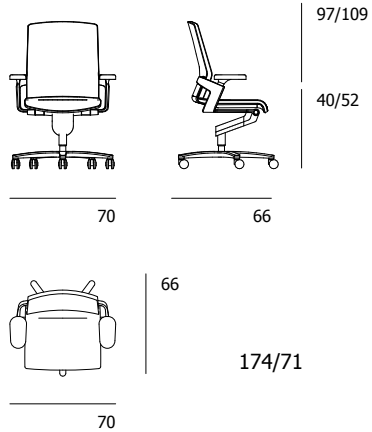
176/8
Conference/visitor chair



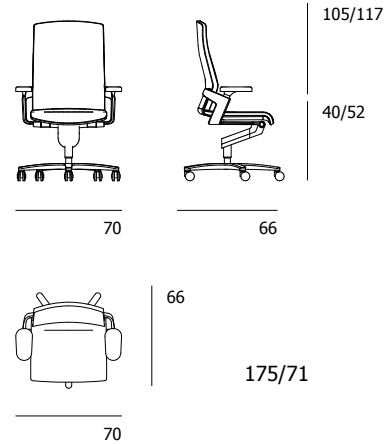
ON. 170 range. Models and dimensions.

Wilkhahn

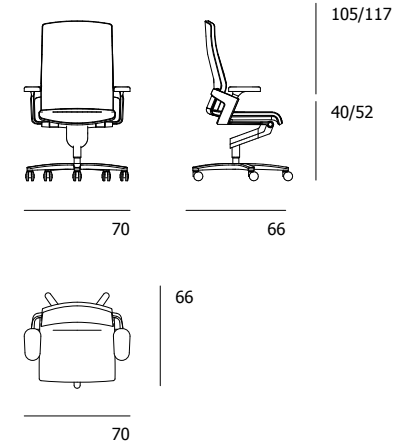
174/71
Task chair with management grade upholstery



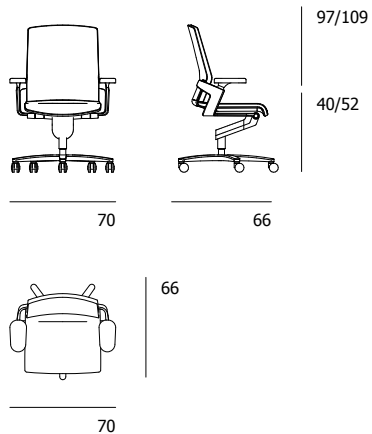
175/71
Task chair with management grade upholstery



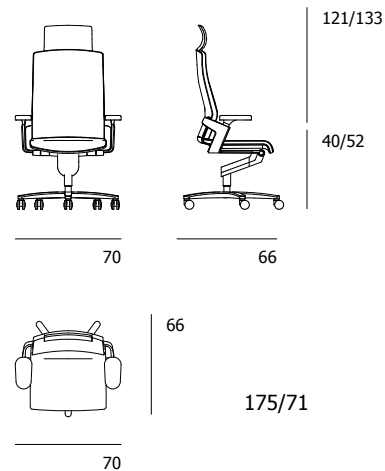
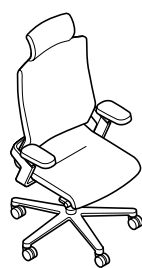
175/81 24-hour chair with management grade upholstery



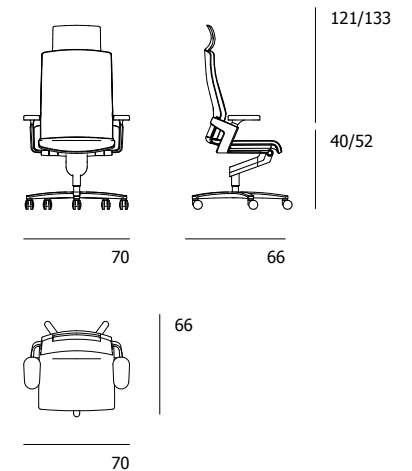
174/81 24-hour chair with management grade upholstery



175/71
with headrest



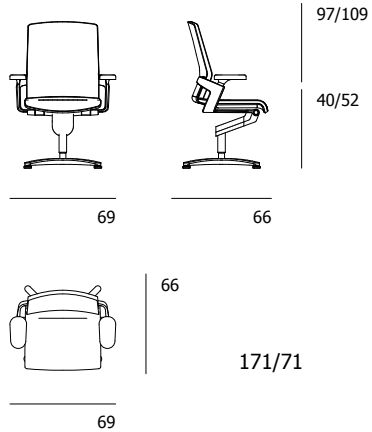
175/81
with headrest



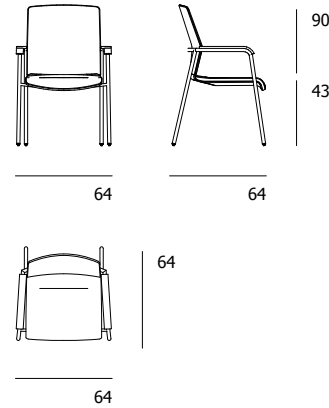
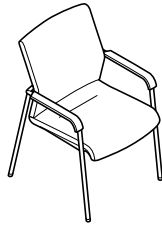
ON. 170 range. Models and dimensions.

Wilkhahn

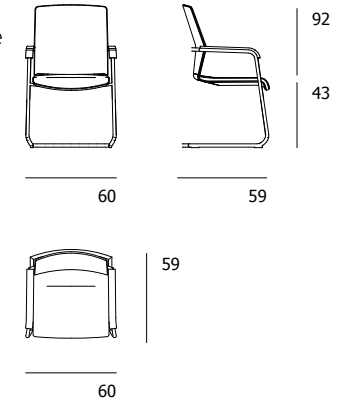
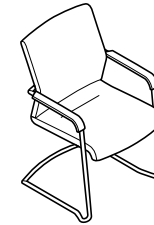
171/71
Conference/visitor chair
with management grade
upholstery



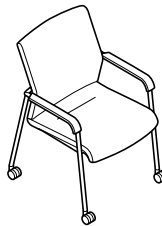
176/71
Conference/visitor chair
with management grade
upholstery



178/71
Cantilever chair
with management grade
upholstery



176/81
Conference/visitor chair
with management grade
upholstery

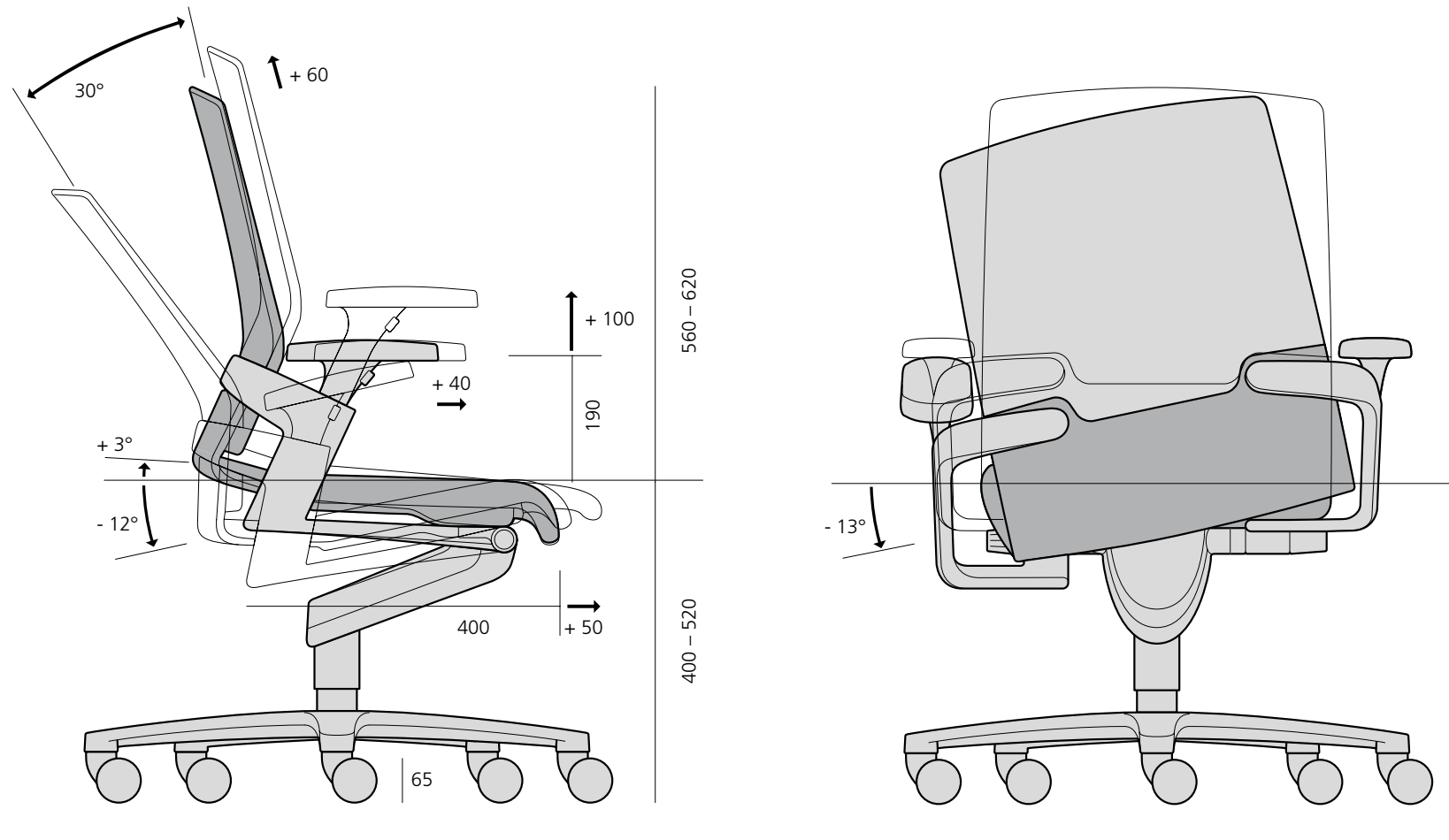


ON. 170 range. Models and dimensions.

Wilkhahn

Trimension® lies at the heart of ON. It consists of the coordinated interaction of a two-part mechanism and an extremely flexible seat and back design (Flexframe®) and the Fiberflex back cover. This permanently elastic and breathable fabric adapts to any shape of back and any posture – just like a second skin. Two separately flexible swing plates, just like two thighs, are connected near to the knees via a rotational axis. In the same position as the hip joints, they form fully flexible suspensions for the seat and backrest. The pivotal sections' positions and movement follow the knee and hip joints. Consequently, a completely natural flow of movement is encouraged that becomes a matter of course. In any position, the body's centre of gravity stays between the pivotal sections and therefore in perfect balance. Flexibility, elasticity and the breathable materials merge to provide excellent comfort without any additional cushioning.

Synchronous forwards and backwards movements allow a tilt angle of $+3^\circ$ to -12° in the seat and up to 30° in the back. The seat and back can be tilted sideways by up to 13° . Anybody weighing between 45 – 120 kg can infinitely and quickly adjust the counterpressure in any direction to achieve their own personal levels of comfort.



660

All dimensions in mm.
Subject to change.

ON. 170 range. Awards / standards / certificates.

Wilkhahn

Awards



Not all awards apply to all types.

Product certificates / product standards



DIN EN 1335 DIN EN 16139-L1 DIN EN 1022 ANSI/BIFMA X5.1.

Not all certificates / standards apply to all types.

Company's certificates, memberships



Environment and product

Healthy, compact and service friendly

The new seating concept encourages a free range of motion. As a result our metabolism is improved (which is the most important factor in our feeling of well-being). And all the benefits this entails in terms of social interaction, business and economic performance. Durability of the form, function and material are the foundations for economic and ecological sustainability. This includes the ability to retrofit additional features, a service-friendly design with modular exchangeability of the seat upholstery panel, backrest, covers and expendable parts. When developing the chair, emphasis was placed from very beginning in ensuring maximum recyclability of the materials – as far as technically possible. After the end of its useful life, 96% of ON can be recycled. Due to the tool-free, knock-down assembly of the backrest, the transportation volume is reduced by about 45% compared with other conventional packaging types. This allows facility management customers to keep a large space-saving range in stock (with different seat and backrests).

- The materials marry extreme precision with robust stability. The star bases consist optionally of die-cast aluminium, or through-dyed, fibreglass reinforced polyamide and the swing plates of die-cast aluminium. The flexible seat shell and seat upholstery panel are made of polypropylene, the back frame and the armrests of fibreglass-reinforced polyamide, optionally with pads made of polyurethane elastomer or polyurethane foam. The mechanism housing is made of die-cast aluminium with polypropylene top cover. All aluminium and polypropylene components comprise a maximum of recycled materials and can be fully recycled at a later date.
- The seat cushions are made of CFC-free covered polyurethane. In addition to the seat upholstery panel, they can also be replaced, along with the cover to the back frame of permanently elastic, breathable 3D polyester fabric.
- The adjustment and motion functions are simplicity itself and offer ease of use. Consequently, if a chair wears out it can be easily repaired or retrofitted to extend its useful life.

The worldwide new standard in three-dimensional dynamic seating is equally straightforward and high quality. Due to innovative design the number of parts has been reduced. The integrated multiple functions are eco-friendly and offer excellent value.

You can find our environmental product information in our media center.